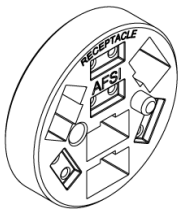


## THDM Shell Size 23 Cleaning Procedures

(THDMP-F8xxx/THDMC-F8xxx)

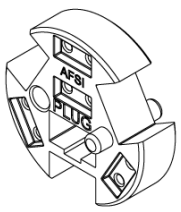
**1.)** Install cleaning insert (MTXB-IAP-R) or (MTXB-IAP-P) into connector.

**\*\*\*CLEAN INSERT BEFORE USE\*\*\***

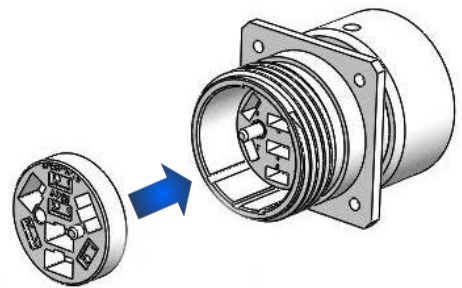


**MTXB-IAP-R  
(Receptacle)**

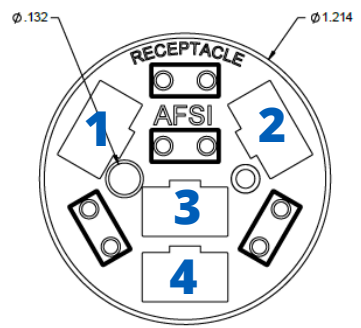
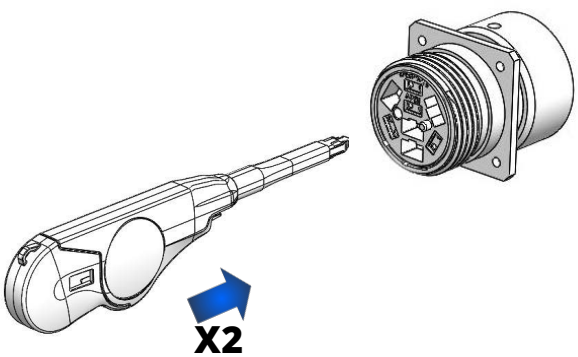
**OR**



**MTXB-IAP-P  
(Plug)**



**2.)** Inset the cleaner (IBC In Bulkhead Cleaner, One-Click, Neoclean, etc.) into the insert and push **2 Times (2X)** per MT ferrule/position.



**\*\*Blue numbers indicate number of positions in no particular order\*\***

**3.)** Remove and rotate the insert 180° and repeat step 2.

