

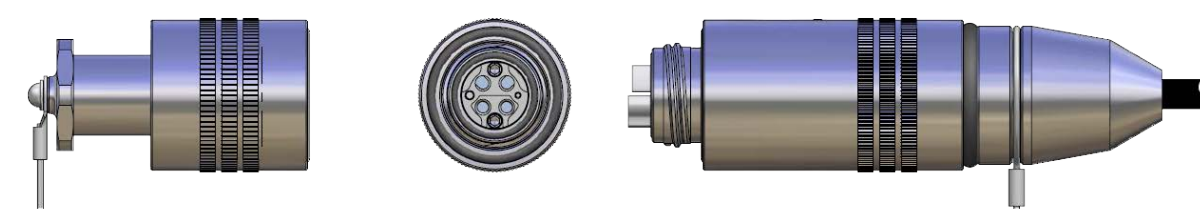
# AmphenolFSI

Amphenol Fiber Systems International (AFSI) is the leading provider of Harsh Environment Fiber Optic (HEFO) solutions and the original developer of the TFOCA-II®. What most of the world doesn't know is that we went beyond the standard configuration to meet and exceed more specific harsh environment requirements. We have the industry's largest and most technologically advanced portfolio of TFOCA-II® custom configurations, and here are just a few.

## TFOCA-II® Series Plug Assembly Variations



**FS4H1000**



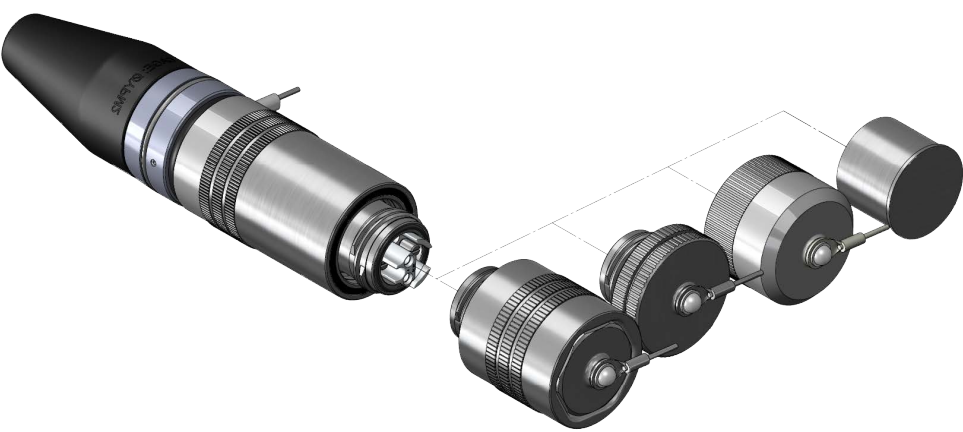
**FS4H1001**



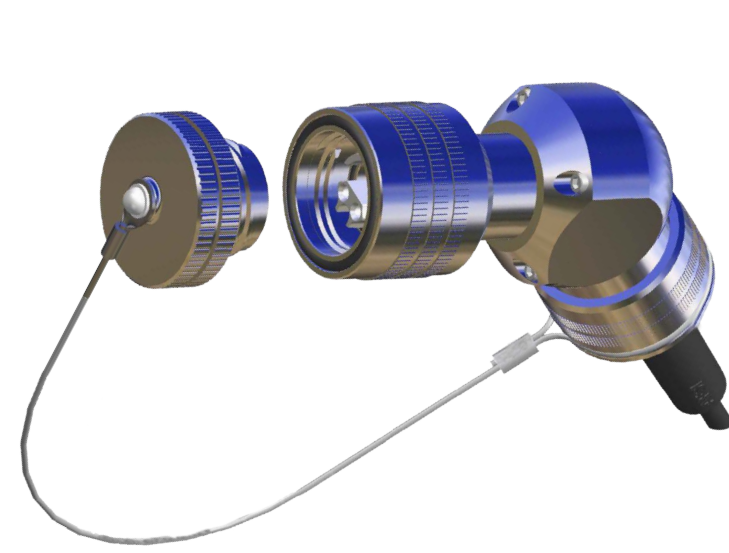
**FS4H1002**



**FS4H1004**



**FS4H1005**



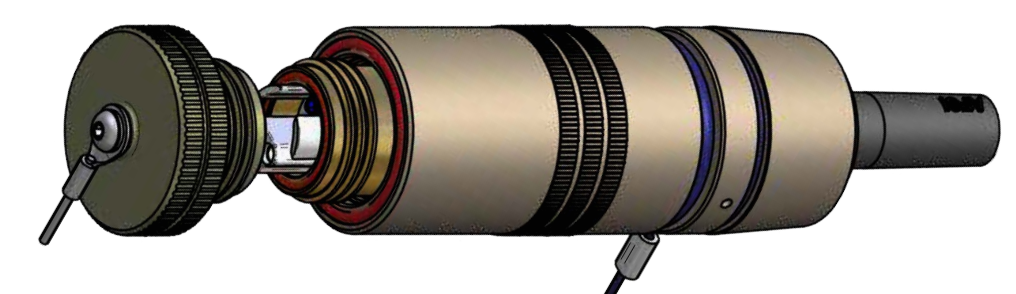
**FS4H1045**



**FS4H1090**

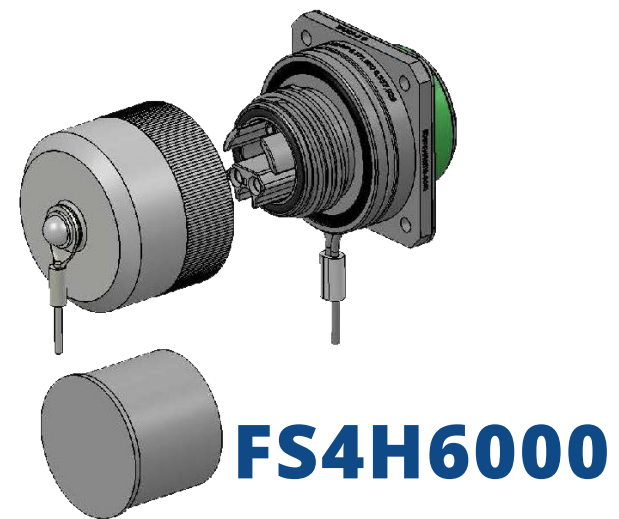


**FS4H1093**



**FS4H5000**

## TFOCA-II® Series Receptacle Assembly Variations



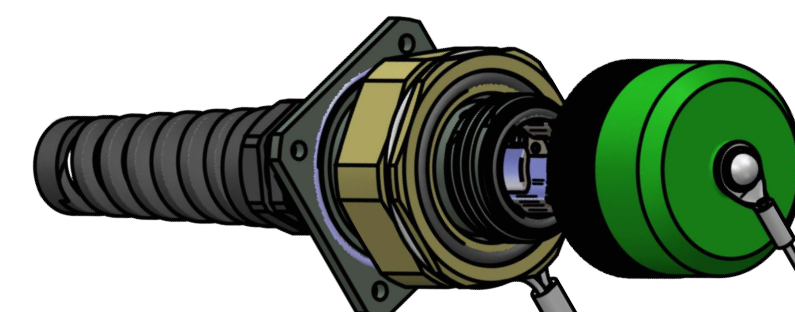
**FS4H6000**



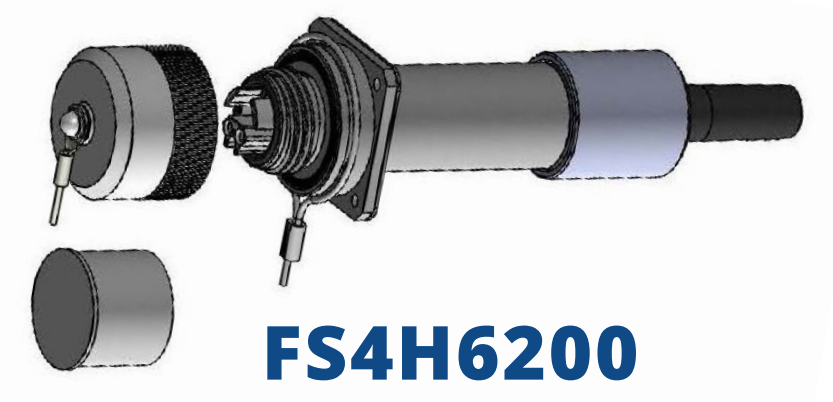
**FS4H6003**



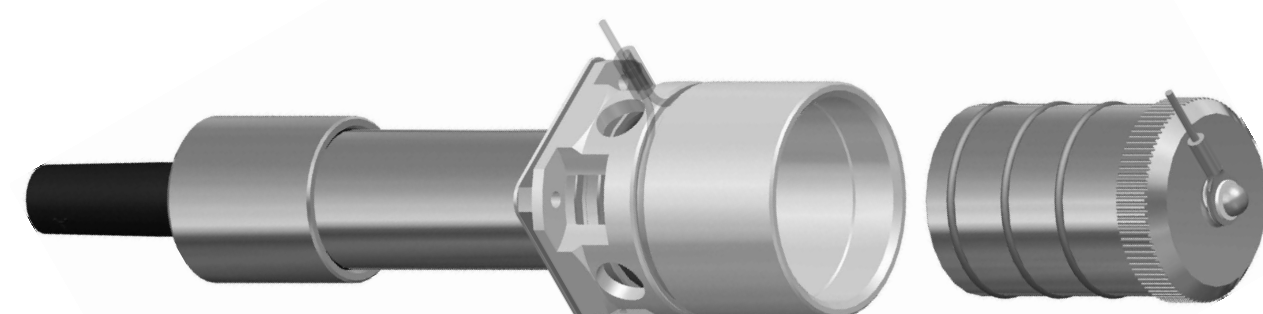
**FS4H6080**



**FS4H6080S**



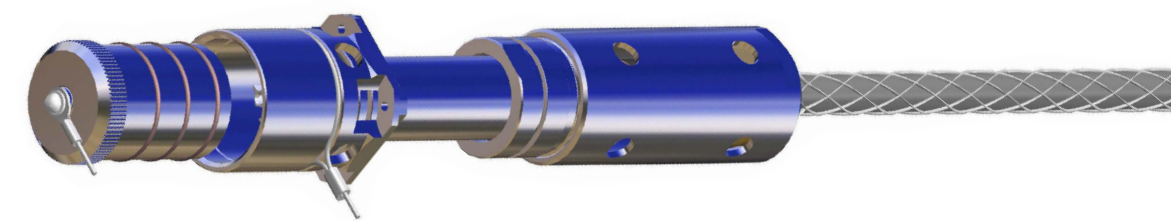
**FS4H6200**



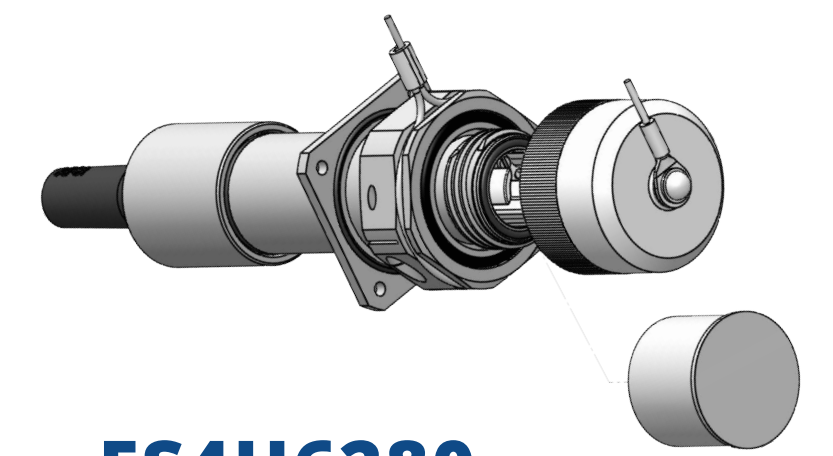
**FS4H6203**



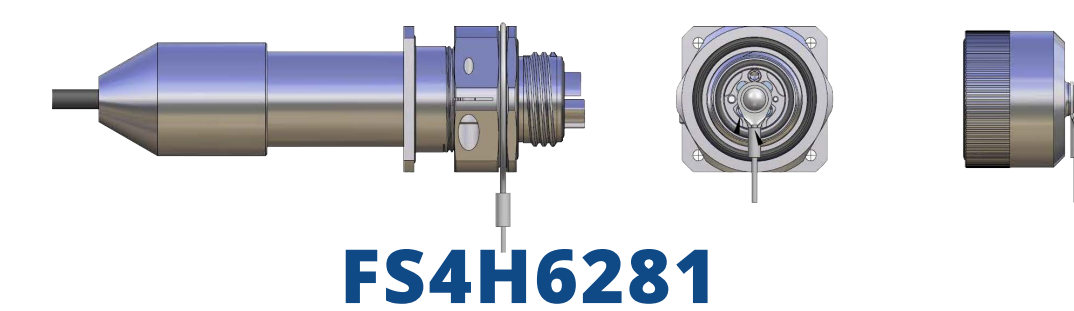
**FS4H6204**



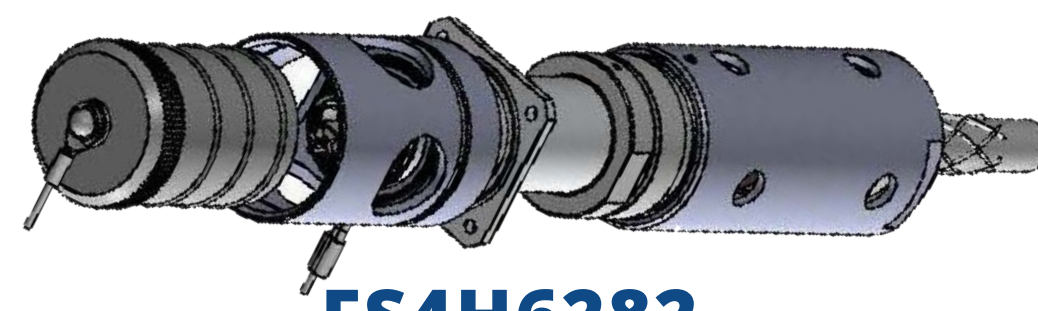
**FS4H6205**



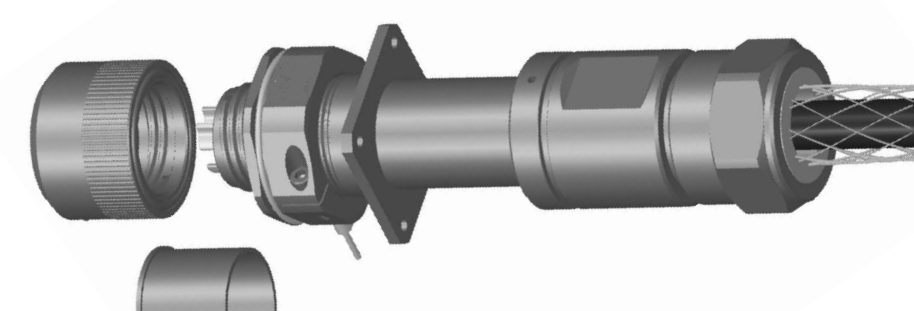
**FS4H6280**



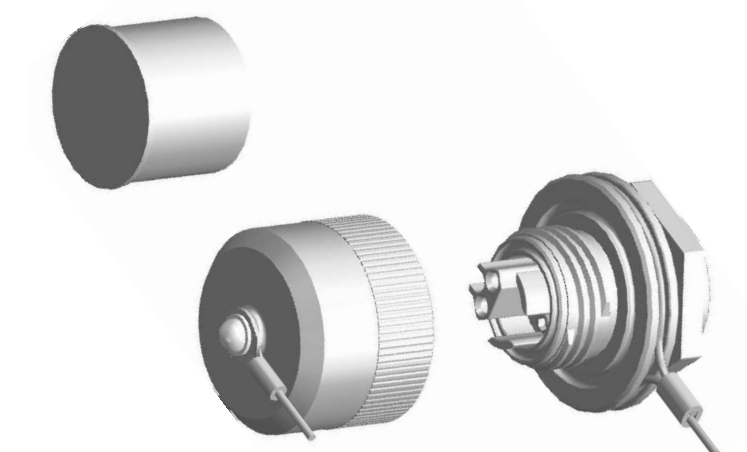
**FS4H6281**



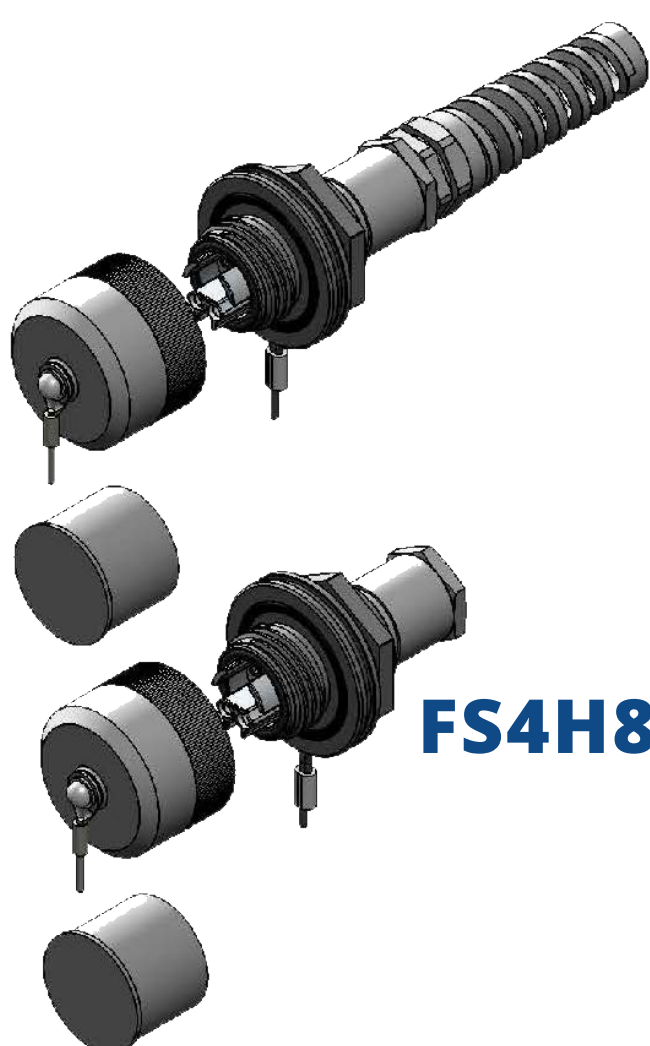
**FS4H6282**



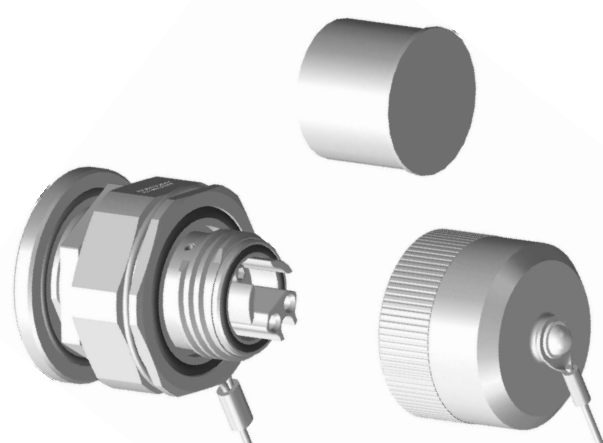
**FS4H6284**



**FS4H8000**



**FS4H8000S**



**FS4H8080**



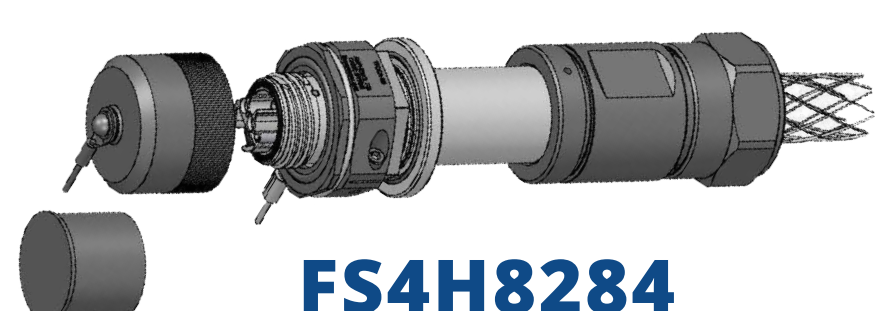
**FS4H8081**



**FS4H8280**



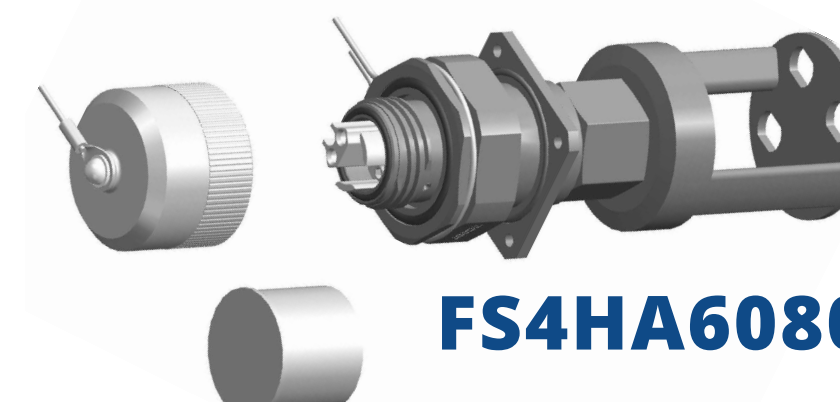
**FS4H8282**



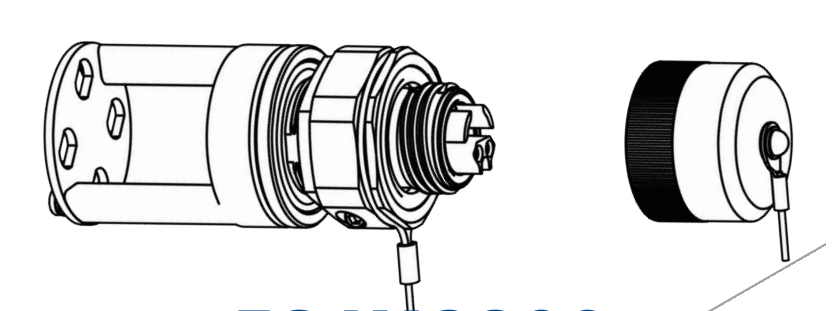
**FS4H8284**



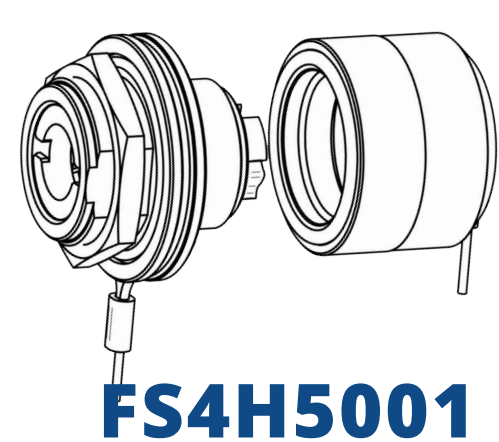
**FS4H8285**



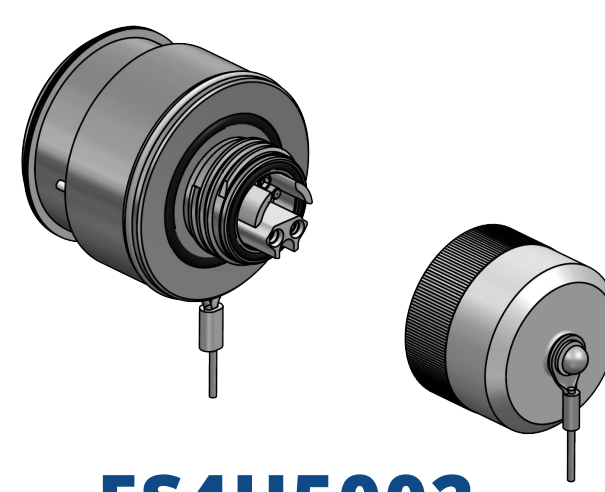
**FS4HA6080**



**FS4H8800**



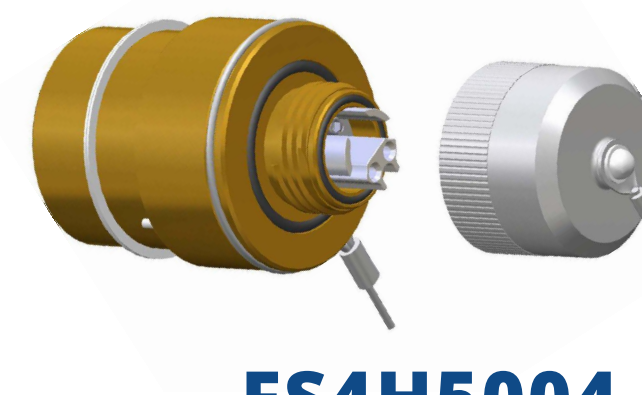
**FS4H5001**



**FS4H5002**



**FS4H5003**



**FS4H5004**



**FS4H5007**