

## TFOCA-II 12 Channel Fiber Optic Connectors



### The TFOCA-II® 12-channel fiber optic connector is ideal for environmentally harsh conditions.

The unique TFOCA-II® connector series is designed and patented by Amphenol Fiber Systems International. This design takes advantage of the latest in fiber optic connectivity technology by utilizing industry standard physical contact ceramic ferrules.

The TFOCA-II® connector is designed for minimal maintenance in the field. However, if field level repair and cleaning are required, all TFOCA-II® connectors can be fully field repaired reusing all components with the exception of the termini. It has a removable end cap allowing direct access to the alignment sleeve and termini.

- **Hermaphroditic Design for Versatility** - Enables multiple TFOCA-II® plug assemblies to be concatenated.
- **Removable End Cap** - Allows for easy field maintenance and cleaning.
- **12-Channel Connector Design** - Six fold channel increase over TFOCA with better optical performance.
- **Improved Cable Retention Strength** - Designed to meet 400lb. pull strength while protecting fibers from stress.
- **Zn-Ni Plating** - Provides substantial longevity to corrosive environments. Meets new mandate set by the Environmental Protection Agency for elimination of heavy metal plating.
- **Commercial Ceramic Ferrule Technology** - Enables TFOCA-II® connector to provision multimode and single mode interconnect with a variety of polishes including SPC and UPC.
- **Solid Core Alignment Sleeves** - More robust than split alignment sleeves.
- **Hermaphroditic Dust Cap** - Plug and/or receptacle dust caps connect together to prevent dust and moisture penetration during deployment.
- **Optional Key Positions** - Four key positions (1,2,3, universal) available, enabling segregation of mated plug/receptacles or plug/plug, through mechanical interface.
- **Field Repairable Using Existing Parts** - Additional connector components (other than termini) are not required to perform field repair.
- **Also Available in Stainless Steel and Brass** - Allows the connector to be used in a variety of applications.

Amphenol Fiber Systems International, Inc. | 1300 Central Expressway N, Suite 100 Allen, TX 75013

Phone: (214) 547-2400 | Email: sales@fibersystems.com | Website: amphenol-fsi.com

Amphenol Fiber Systems International (AFSI), a division of Amphenol Military & Aerospace Operations (AMAO), is the largest manufacturer of harsh environment fiber optic cable assemblies & connectors in the world. Visit AMAO at amphenolmao.com.

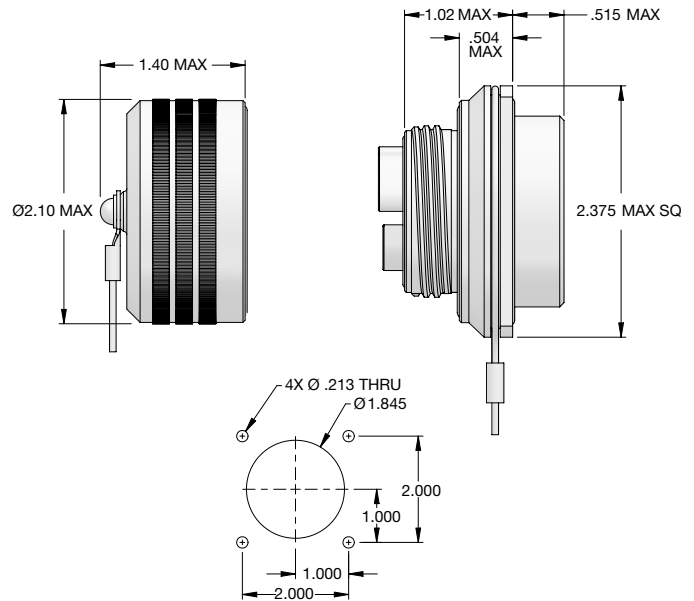
## Applications :

- U.S. Army, Navy, and Marine Corp military tactical deployments or strategic installations
- Oil, Gas and Geoscience industries
- Mining
- Industrial
- Broadcast

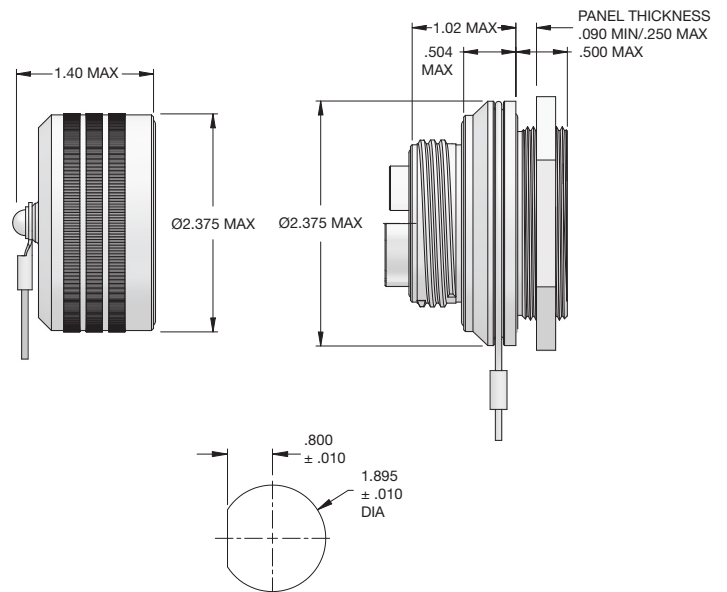
## TFOCA-II®

Parameter	Typical	Maximum
Insertion loss (multimode)	0.30dB	0.75dB
Insertion loss (single mode)	0.40dB	0.75dB
Back reflection (single mode-UPC polish)	-50dB	-40dB
Operating temperature	-46° C to + 71° C	
Storage temperature	-55° C to + 85° C	
Mud	5 minute immersion clean with water (per MIL-C-83526/12 /13 requirements)	
Water pressure	MIL-STD-810,Method 512.4, 1m, 48hr	
Ice crush	DOD-STD-1678,Method 4050	
Humidity	DOD-STD-1678,Method 4030, 10 Cycles	
Flammability	MIL-STD-1344,Method 1012	
Vibration (operational)	MIL-STD-1344,Method 2500.1	
Shock	EIA/TIA-455-14, Condition A	
Mating durability	2,000 cycles per EIA/TIA-455-21	
Cable seal flexing	100 cycles per MIL-STD-1344,Method 2017, Procedure 1	
Twist	1,000 cycles per EIA/TIA-455-36	
Cable retention	400 pounds minimum per EIA/TIA-455-6, 1hr (applies to plug and strain relief receptacles)	
Impact	EIA/TIA-455-2	
Crush resistance	450 pounds minimum per EIA/TIA-455-26	
EMI shielding effectiveness (receptacle only)	> 60dB, 15KHz to 10GHz	

## FS8H6000 TFOCA-II® 12-Channel Flange Mount Receptacle with Panel Cutout:



## FS8H8000 TFOCA-II® 12-Channel "D" Mount Receptacle with Panel Cutout:

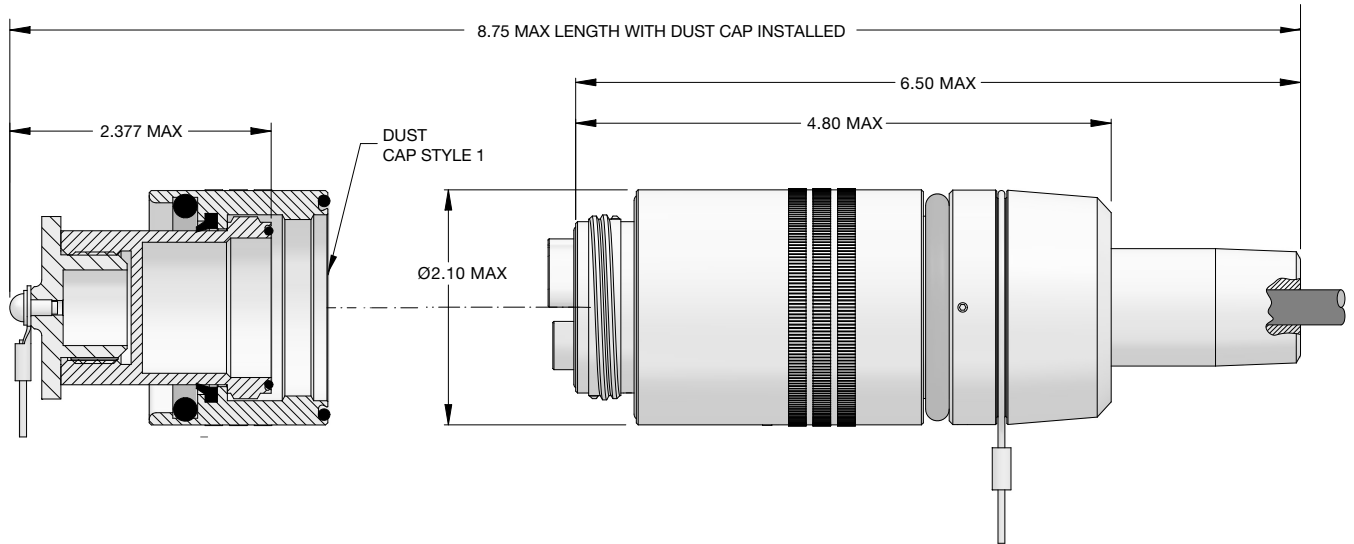


Amphenol Fiber Systems International, Inc. | 1300 Central Expressway N, Suite 100 Allen, TX 75013

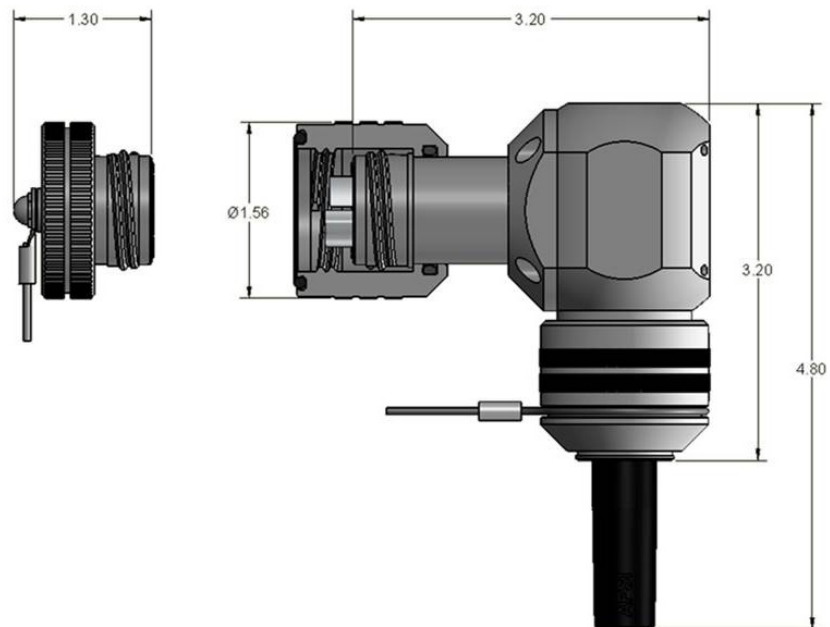
Phone: (214) 547-2400 | Email: sales@fibersystems.com | Website: amphenol-fsi.com

Amphenol Fiber Systems International (AFSI), a division of Amphenol Military & Aerospace Operations (AMAO), is the largest manufacturer of harsh environment fiber optic cable assemblies & connectors in the world. Visit AMAO at amphenolmao.com.

## FS8H1000 TFOCA-II® 12-Channel Hermaphroditic Plug:



## TFOCA-II® 12 Channel 90° Plug :



## Amphenol Fiber Systems International (AFSI) :



Amphenol Fiber Systems International (AFSI) designs, manufactures, markets and supports reliable and innovative fiber optic interconnect solutions that withstand the harsh environments of military, oil & gas, mining and broadcast applications. After more than 2 decades in business, AFSI continues to uphold its position as a global leader in fiber optic interconnect components and systems such as termini, M28876, MIL-ST, TFOCA and the TFOCA-II® connector, which AFSI developed and patented.

AFSI has delivered millions of fiber optic connectors in more than 34 countries. Whenever there is a need for superior, cost-effective fiber optic systems and products that will stand up to demanding operating environments, you can rely on AFSI for engineering know-how, top-quality products and expert technical support.

Visit [www.fibersystems.com](http://www.fibersystems.com) for more information.

## How to Order :

For more information on how to order or to obtain a price quote on our TFOCA-II® 12-Channel products, call toll free (U.S. only) at 800.472.4225, international calls please use 1.214.547.2400 or e-mail [info@fibersystems.com](mailto:info@fibersystems.com).