

FS12 Pierside



Amphenol Fiber Systems International (AFSI) manufactures a complete line of next generation fiber optic connectors designed to meet the needs of harsh environment applications.

Amphenol Fiber Systems International's (AFSI) FS12 fiber optic connector is for harsh environment, broadcast and pierside applications. This connector is available in either single mode or multimode and uses field-proven MIL-PRF-29504 termini.

The 12-channel FS12 Pierside connector design provides flexibility for current and future Navy communication requirements both afloat and ashore. This connector is also ideal for high fiber-count tactical broadcast networks. Removable termini, qualified to MIL-PRF-29504 specifications, enables quick connector reconfiguration and field maintainability.

Features & Benefits :

- **Hermaphroditic Design:** Enables plug-to-plug or plug-to-receptacle connectivity.
- **Rugged Design:** FS12 Pierside connector handles the rigors of deployment and harsh environment conditions for both industrial and military applications.
- **Environmentally Sealed Connector:** Ensures environment integrity
- **Military Qualified MIL-PRF-29504/14 & /15 Termini:** Takes advantage of tightly toleranced commercial ceramic ferrules and alignment sleeves allowing either single mode or multimode use.
- **Removable Insert Cap:** Enables ease of socket termini cleaning.
- **Captive Insert Cap Screw:** Prevents loss of screw during cleaning or repair.
- **Sealed Termini:** Keeps the optical path clear under extreme environmental conditions.
- **Field Repairable Using Existing Parts:** Additional connector components (other than termini) are not required to perform field repair.

Amphenol Fiber Systems International, Inc. | 1300 Central Expressway N, Suite 100 Allen, TX 75013

Phone: (214) 547-2400 | Email: sales@fibersystems.com | Website: amphenol-fsi.com

Amphenol Fiber Systems International (AFSI), a division of Amphenol Military & Aerospace Operations (AMAO), is the largest manufacturer of harsh environment fiber optic cable assemblies & connectors in the world. Visit AMAO at amphenolmao.com.

FS12 Pierside

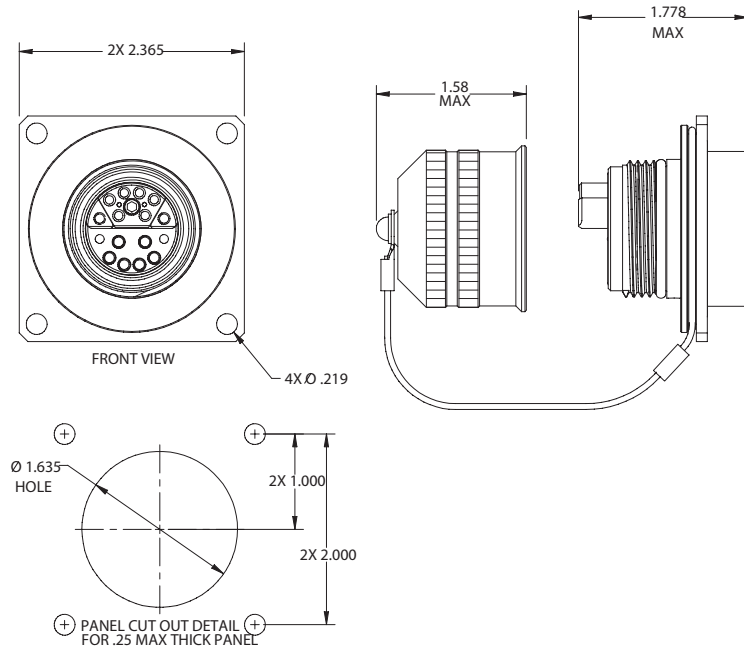
Applications:

- Umbilical cables used to interface between shore and ship networks
- Broadcast
- U.S. Army, Navy, Air Force and Marine Corp tactical and strategic deployments
- Oil, gas and geo-science industries
- Industrial

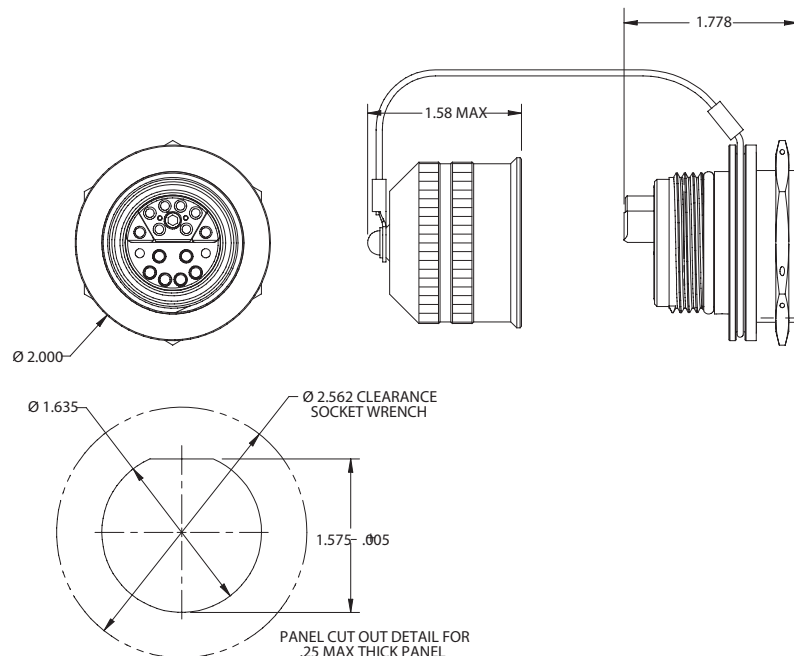
FS12 Pierside Connector Specifications:

Specification	Measurement/Detail
Fiber Type	62.5/125 multimode or 9/125 single mode
Insertion Loss	62.5/125 multimode fiber -0.3dB typical, 9/125 single mode fiber -0.4dB typical
Operating Temperature	-46 C to 71 C
Shock	EIA/TIA-455-14, Condition A
Vibration	MIL-STD-1344, Method 2005.1
Cable Retention	400 pounds minimum per EIA/TIA-455-6
Twist	1000 cycles per EIA/TIA-455-36
Cable Seal Flexing	100 cycles per MIL-STD-1344, Method 2017
Mating Durability	2000 cycles per EIA/TIA-455-21
Impact	EIA/TIA-455-2
Crush Resistance	450 pounds minimum per EIA/TIA-455-26
Flammability	MIL-STD-1344, Method 1012
EMI Shielding Effectiveness (*Receptacles Only*)	Greater than 60 dB average

FS12-6000 Pierside Hermaphroditic Flanged Receptacle w/ Panel Cutout:



FS12-8000 Pierside Hermaphroditic Rear Jam Nut Receptacle w/ Panel Cutout:



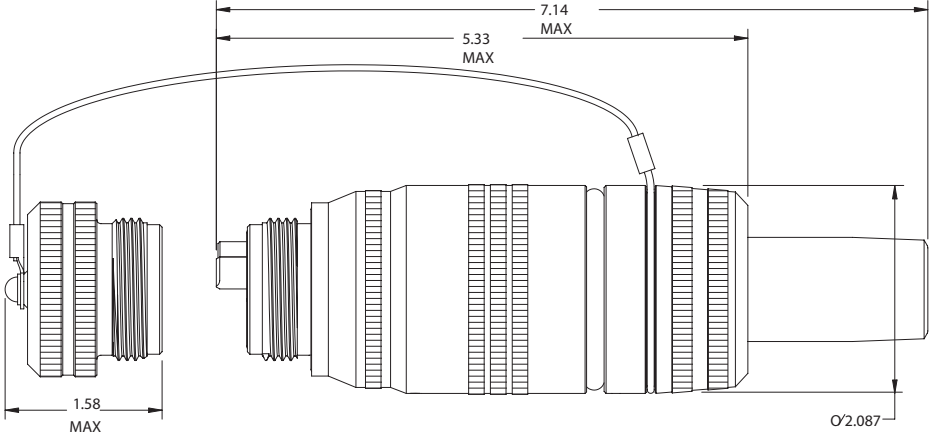
Amphenol Fiber Systems International, Inc. | 1300 Central Expressway N, Suite 100 Allen, TX 75013

Phone: (214) 547-2400 | Email: sales@fibersystems.com | Website: amphenol-fsi.com

Amphenol Fiber Systems International (AFSI), a division of Amphenol Military & Aerospace Operations (AMAO), is the largest manufacturer of harsh environment fiber optic cable assemblies & connectors in the world. Visit AMAO at amphenolmao.com.

FS12 Pierside

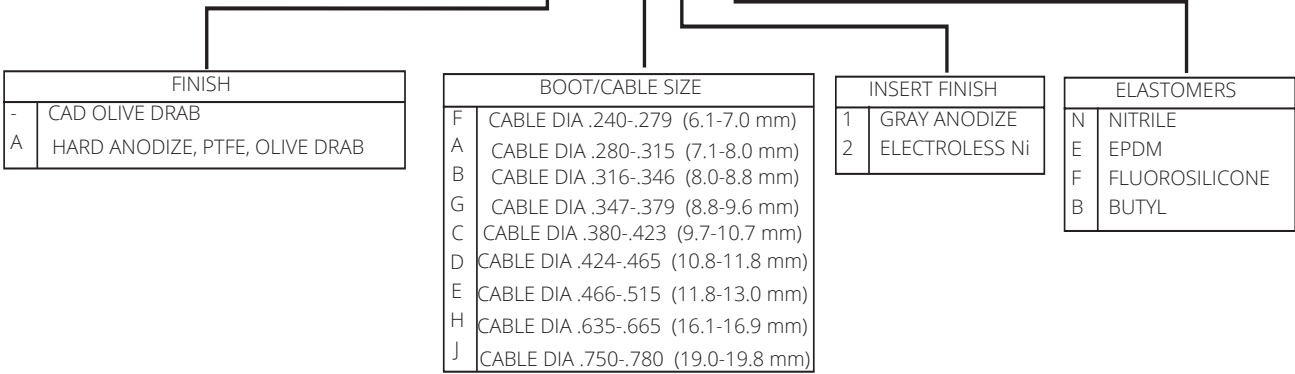
FS12-1000 Pierside Hermaphroditic Plug:



FS12 Pierside Connector Part Number Configuration:

Product Name
FS12 Pierside Plug

Product Number
FS12X1000 X X-1 X



Example Part Number - FS12A1000F1-1N

FS12 Pierside Plug; Hard Anodize, PTFE, Olive Drab Finish; Cable Dia .240-.279; Gray Anodize; Nitrile Elastomers

FS12 Pierside Hermaphroditic Flanged Receptacle
 FS12 Pierside Hermaphroditic Jam Nut Receptacle Rear
 FS12 Pierside Hermaphroditic Jam Nut Receptacle Front

FS12-6000-1
 FS12-8000-1
 FS12-8080-1

FS12 Pierside

How to Order :

For more information on how to order or to obtain a price quote on our FS12 Pierside products, call toll free (U.S. only) at 800.472.4225, international calls please use 1.214.547.2400 or e-mail info@fibersystems.com.

Amphenol Fiber Systems International (AFSI) :



Amphenol Fiber Systems International (AFSI) designs, manufactures, markets and supports reliable and innovative fiber optic interconnect solutions that withstand the harsh environments of military, oil & gas, mining and broadcast applications. After more than two decades in business, AFSI continues to uphold its position as a global leader in fiber optic interconnect components and systems such as termini, M28876, MIL-ST, TFOCA® and the TFOCA®-II connector, which AFSI developed and patented.

AFSI has delivered millions of fiber optic connectors in more than 34 countries. Whenever there is a need for superior, cost-effective fiber optic systems and products that will stand up to demanding operating environments, you can rely on AFSI for engineering know-how, top-quality products and expert technical support.

Visit www.fibersystems.com for more information.

Amphenol Fiber Systems International, Inc. | 1300 Central Expressway N, Suite 100 Allen, TX 75013

Phone: (214) 547-2400 | Email: sales@fibersystems.com | Website: amphenol-fsi.com

Amphenol Fiber Systems International (AFSI), a division of Amphenol Military & Aerospace Operations (AMAO), is the largest manufacturer of harsh environment fiber optic cable assemblies & connectors in the world. Visit AMAO at amphenolmao.com.