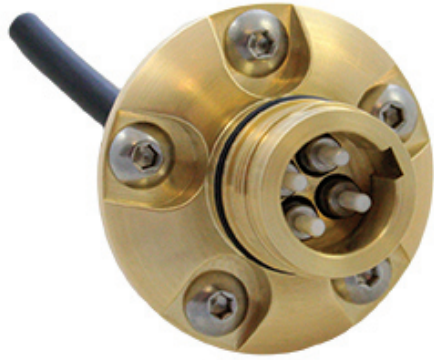


AquaLink® FS140



Amphenol Fiber Systems International (AFSI) manufactures a complete line of next generation fiber optic connectors designed to meet the needs of harsh environment applications.

Amphenol Fiber Systems International (AFSI) offers the AquaLink®, a cost-effective series of dry-mate submersible fiber optic connectors for underwater applications. The FS140 AquaLink® has been designed for pressures up to 4,500 psi/300 bar (mated) which is adequate for 10,000 feet (3,000 meters) of water. The open mated receptacle supports pressures up to 450 psi.

The standard AquaLink® supports up to four single mode or multi-mode fiber optic contacts with additional channels available upon request. Using precision ceramics, the AquaLink® provides excellent optical performance with insertion losses of 0.3 dB typical and 0.75 dB maximum. The AquaLink® is also easy to terminate, requiring standard fiber-optic tools and training.

The AquaLink® is offered in a variety of materials including stainless steel 316, inconel 718 and marine bronze.

Features & Benefits :

- Cost-effective multi-channel underwater fiber optic connector
- Supports applications up to 10,000 feet
- Easy to terminate using standard fiber optic tools and training
- Available in a variety of materials

Applications:

- Tidal Power Generation
- Underwater ROV's
- Subsea Tiebacks
- Seabed Systems
- Submerged Sensor Systems

Specifications:

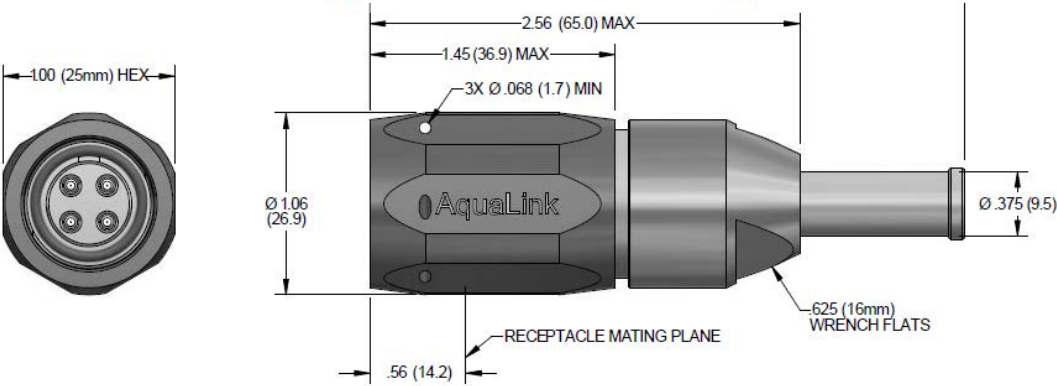
Pressure: ≤ 10 kpsi (mated)
Insertion Loss: ≤ 0.75 dB

Amphenol Fiber Systems International, Inc. | 1300 Central Expressway N, Suite 100 Allen, TX 75013
Phone: (214) 547-2400 | Email: sales@fibersystems.com | Website: amphenol-fsi.com

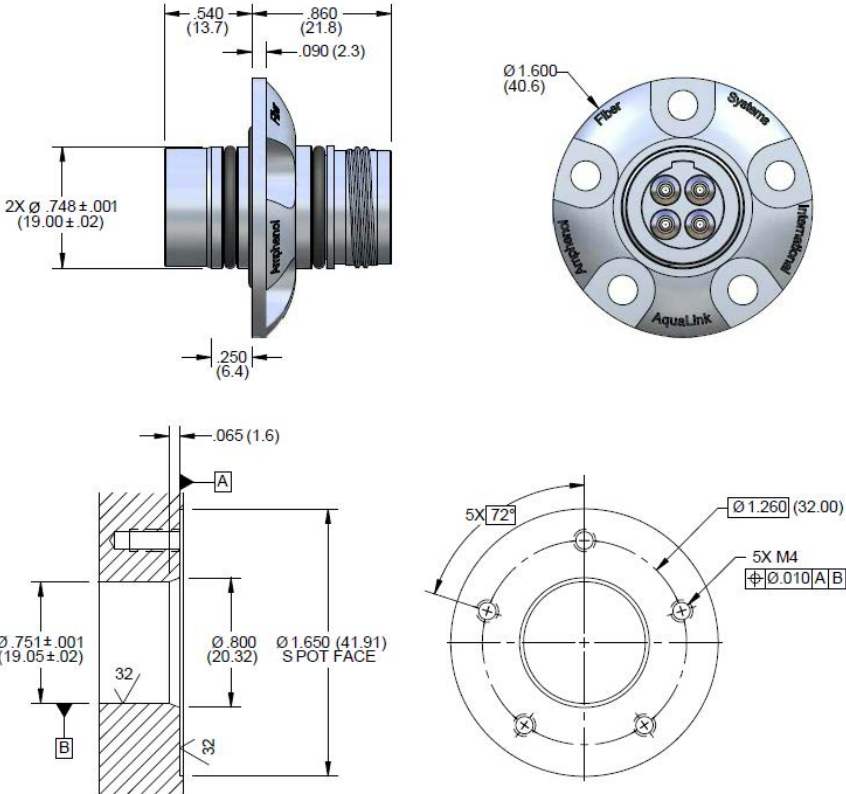
Amphenol Fiber Systems International (AFSI), a division of Amphenol Military & Aerospace Operations (AMAO), is the largest manufacturer of harsh environment fiber optic cable assemblies & connectors in the world. Visit AMAO at amphenolmao.com.

AquaLink® FS140

AquaLink® FS140 Plug, Product Drawing:



AquaLink® FS140 Receptacle, Product Drawing & Panel Cutout:



AquaLink® FS140

How to Order :

For more information on how to order or to obtain a price quote on any of our TFOCA-II® EX products, please call us at 800-472-4225. For international calls please dial 214-547-2400 or e-mail us at info@fibersystems.com.



About Amphenol Fiber Systems International :

Amphenol Fiber Systems International (AFSI) designs, manufactures, markets and supports reliable and innovative fiber optic interconnect solutions that withstand the harsh environments of military, oil & gas, mining and broadcast applications. After more than two decades in business, AFSI continues to uphold its position as a global leader in fiber optic interconnect components and systems such as termini, M28876, MIL-ST, TFOCA and the TFOCA-II® connector, which AFSI developed and patented.

AFSI has delivered millions of fiber optic connectors in more than 34 countries. Whenever there is a need for superior, cost-effective fiber optic systems and products that will stand up to demanding operating environments, you can rely on AFSI for engineering know-how, top-quality products and expert technical support.

Visit www.amphenol-fsi.com for more information.

Amphenol Fiber Systems International, Inc. | 1300 Central Expressway N, Suite 100 Allen, TX 75013

Phone: (214) 547-2400 | Email: sales@fibersystems.com | Website: amphenol-fsi.com

Amphenol Fiber Systems International (AFSI), a division of Amphenol Military & Aerospace Operations (AMAO), is the largest manufacturer of harsh environment fiber optic cable assemblies & connectors in the world. Visit AMAO at amphenolmao.com.