



*THD72 Receptacle*

### About the THD Connectors

Amphenol Fiber Systems International (AFSI) designed and developed the Tactical High Density (THD) connectors to meet the ever-increasing demands of high density harsh environment fiber optic connectivity. THD series connectors are particularly suited for the reliable tactical connections required for digital communication on and near the battlefield, high bandwidth commercial or industrial applications. AFSI's multi-channel fiber optic connectors are designed to provide the best possible optical performance for applications with extreme environmental conditions. The THD series is another example of AFSI's leadership in high density tactical fiber optic connectors.

THD series connectors build on the success of the AFSI TFOCA-II®. These ultra high density connectors utilize commercially available 1.25mm zirconia ceramic ferrules and alignment sleeves resulting in exceptional insertion loss performance.

### Features and Benefits

- 48, 64 & 72 channel configurations
- Rugged high density connectors for harsh environments
- For use with multimode and single mode fiber
- Precision ceramic ferrule and alignment sleeve technology
- Rugged design for reliable operation beyond the limitations of high channel count commercial connectors

### Applications

- Disaster recovery
- Military tactical deployments
- Strategic installations
- Oil, gas and geoscience industries
- Industrial
- Government

### THD Specifications

Specification	Measurement/Detail
Number of channels	48, 64 & 72 channels
Insertion loss	62.5/125 Multimode fiber - 0.75dB Max 9/125 Single mode fiber - 0.75dB Max
Fiber type	62.5/125 Multimode or 9/125 Single mode

### THD Connector Product Numbers

Product Number	Product Name
THD48-1000-X-Y	THD48 Channel Plug
THD64-1000-X-Y	THD64 Channel Plug
THD72-1000-X-Y	THD72 Channel Plug

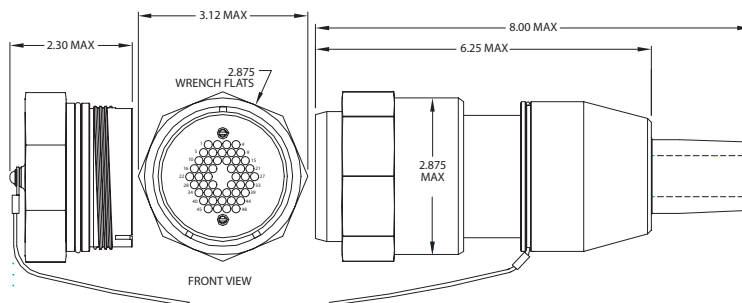
X=1 KEY 1	Y=1 CABLE DIA 27-28 MM
X=2 KEY 2	Y=2 CABLE DIA 20-21 MM
X=3 KEY 3	Y=3 CABLE DIA 22-23 MM
X=U KEY 4	

THD48-8080-X	THD48 Channel Receptacle
THD64-8080-X	THD64 Channel Receptacle
THD72-8080-X	THD72 Channel Receptacle

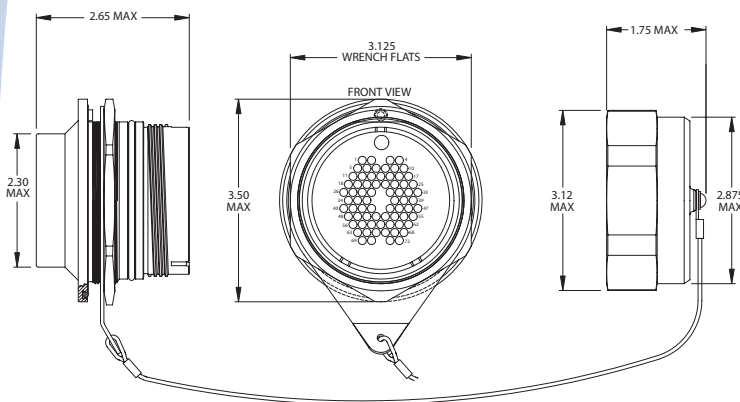
X=1 KEY 1
X=2 KEY 2
X=3 KEY 3
X=U KEY 4

### How to Order

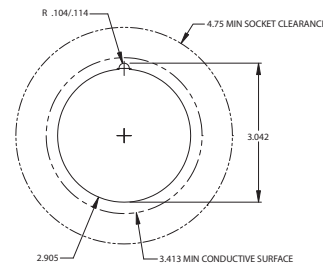
For more information on how to order or to obtain a price quote on any of our THD products, please call us at 800.472.4225. For international calls please dial 214.547.2400 or email us at [info@fibersystems.com](mailto:info@fibersystems.com)



**THD Plug Dimensions  
(48 Channel Shown)**



**THD Receptacle Dimensions  
(72 Channel Shown)**



**THD Receptacle Panel  
Cutout Dimensions**

## About Amphenol Fiber Systems International

Amphenol Fiber Systems International (AFSI) designs, manufactures, markets, and supports reliable and innovative fiber optic interconnect solutions that withstand the harsh environments of military, oil & gas, mining and broadcast applications. After more than a decade in business, AFSI continues to uphold its position as a global leader in fiber optic interconnect components and systems such as termini, M28876, MIL-ST, TFOCA and the TFOCA-II<sup>®</sup> connector, which AFSI

developed and patented. Altogether, AFSI has distributed millions of fiber optic connectors in more than 22 countries. Whenever there is a need for superior cost-effective fiber optic systems and products that will stand up to demanding operating environments, you can rely on AFSI for engineering know-how, top-quality products and expert technical support.

For more information about AFSI, please visit our web site at [www.fibersystems.com](http://www.fibersystems.com).

Publication: AFSI-THD-D-05.09.05 Specifications subject to change without notice.

[www.fibersystems.com](http://www.fibersystems.com) - [info@fibersystems.com](mailto:info@fibersystems.com)

© Copyright Amphenol Fiber Systems International. All rights reserved.

TFOCA-II is registered trademark of Amphenol Fiber Systems International. TFOCA-II is covered by U.S. Patents 6,305,849; 6,371,660 and 6,357,929

Amphenol Fiber Systems International, Inc.

1300 Central Expressway North, Suite 100

Allen, TX 75013

Phone: 214.547.2400 - 800.472.4225

Fax: 214.547.9344