



TFOCA-III® 24-Channel Receptacle

About TFOCA-III®

The TFOCA-III® series of 6 and 24-channel fiber optic connectors are ideal for environmentally harsh conditions.

The TFOCA-III® design utilizes the latest technology in fiber optic connectivity by incorporating industry standard physical contact ceramic ferrules and alignment sleeves.

Features and Benefits

- **Hermaphroditic Design for Versatility** - Enables multiple TFOCA-III® plug assemblies to be daisy-chained
- **Removable End Cap** - Allows for easy field maintenance and cleaning
- **6 and 24-Channel Connector Design** - Ideal for high density, harsh environment applications
- **Superior Cable Retention Strength** - Designed to meet 400 lb pull strength while protecting fibers from stress
- **Zn-Ni Plating** - Provides substantial longevity to corrosive environments. Meets new mandate set by Environmental Protection Agency for the elimination of heavy metal plating

- **Commercial Ceramic Ferrule Technology** - Enables TFOCA-III® connector to provision multimode and single mode interconnect with a variety of polishes including SPC and UPC
- **Solid Core Alignment Sleeves** - More robust than split alignment sleeves
- **Hermaphroditic Dust Cap** - Plug and/or receptacle dust caps connect together to prevent dust and moisture penetration during deployable conditions
- **Optional Key Positions** - Available in four key positions (1, 2, 3 and universal), enables segregation of mated plug/receptacles or plug/plug, through mechanical interface
- **Field Repairable Using Existing Parts** - Additional connector components (other than termini) are not required to perform field repair
- **Also Available in Stainless Steel** - Allows the connector to be used in a variety of applications

Applications

- US Army, Navy and Marine Corps Military Tactical Deployments
- Oil, Gas and Geoscience Industries
- Mining
- Industrial
- Broadcast
- Disaster Recovery

How to Order

For more information on how to order or to obtain a price quote on our TFOCA-III® products, call toll free (US only) at 800.472.4225, international calls please use 1.214.547.2400 or e-mail info@fibersystems.com.

TFOCA-III® Connector Specifications

Specification	Measurement/Detail
Number of Channels	6 and 24-channels
Filter Type	62.5/125 or 50/125 multimode, 9/125 single mode
Insertion Loss	62.5/125 or 50/125 multimode fiber: -0.3 dB typical 9/125 single mode: -0.4 dB typical
Operating Temperature	-46° C to +71° C
Shock	EIA/TIA-455-14, Condition A
Vibration	MIL-STD-1344, Method 2005.1
Cable Retention	400 lb min per EIA/TIA-455-6 (applies to plug and strain relief receptacles)
Twist	1,000 cycles per EIA/TIA-455-36
Cable Seal Flexing	100 cycles per MIL-STD-1344, Method 2017, Procedure 1
Mating Durability	500 cycles per EIA/TIA-455-21
Crush Resistance	450 lb min per EIA/TIA-455-26
EMI Shielding Effectiveness (Receptacle Only)	> 60 dB, 15kHz to 10GHz

TFOCA-III® 6-Channel Connector Part Numbers

Product Number Product Name

FS6H1000-X-Y TFOCA-III® 6-Channel Plug

FS6H6200-X-Y TFOCA-III® 6-Channel Flange Mount Receptacle with ISR

X=H Cable Diameter Range .190 - .239	Y=1 Key Option 1
X=F Cable Diameter Range .240 - .279	Y=2 Key Option 2
X=A Cable Diameter Range .280 - .315	Y=3 Key Option 3
X=B Cable Diameter Range .316 - .346	Y=U Universal Key Option
X=G Cable Diameter Range .347 - .379	

FS6H8000-X-Y TFOCA-III® 6-Channel Jam Nut Receptacle

FS6H6000-X-Y TFOCA-III® 6-Channel Flange Mount Receptacle

X=1 EMI Shielded Panel Seal	Y=1 Key Option 1
	Y=2 Key Option 2
	Y=3 Key Option 3
	Y=U Universal Key Option

FSAF1000Y TFOCA-III® Terminus

Product Number	X=Ferrule Type	Y=Crimp
FSAF1000	0=MM/SM	Blank=W/O Crimp
FSAF1000C	0=MM/SM	C=With Crimp

FSAF1150 TFOCA-III® Alignment Sleeve, Multimode

FSAF1175 TFOCA-III® Alignment Sleeve, Single mode

M29E1000 TFOCA-III® Dummy Terminus

TFOCA-III® 24-Channel Connector Part Numbers

Product Number Product Name

FS5H1000-X-Y TFOCA-III® 24-Channel Hermaphroditic Plug

X=F Cable Diameter Range .240 - .279	Y=1 Key Option 1
X=A Cable Diameter Range .280 - .315	Y=2 Key Option 2
X=B Cable Diameter Range .316 - .346	Y=3 Key Option 3
X=G Cable Diameter Range .347 - .379	Y=U Universal Key Option
X=C Cable Diameter Range .380 - .423	
X=D Cable Diameter Range .424 - .465	
X=E Cable Diameter Range .466 - .515	

FS5H8800-X-Y TFOCA-III® 24-Channel Jam Nut Receptacle

FS5H6000-X-Y TFOCA-III® 24-Channel Flange Mount Receptacle

X=1 EMI Shielded Panel Seal	Y=1 Key Option 1
	Y=2 Key Option 2
	Y=3 Key Option 3
	Y=U Universal Key Option

FSAF1X00Y TFOCA-III® Terminus

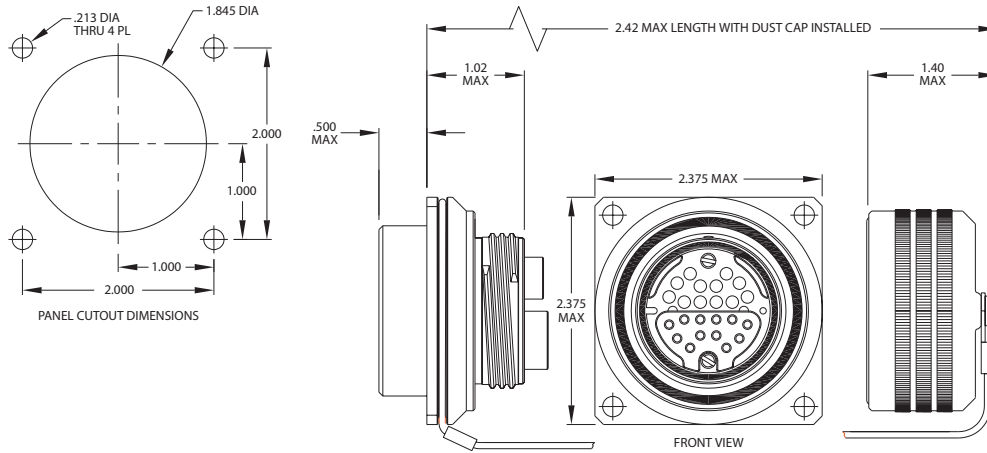
Product Number	X=Ferrule Type	Y=Crimp
FSAF1000	0=MM/SM	Blank=W/O Crimp
FSAF1000C	0=MM/SM	C=With Crimp

FSAF1150 TFOCA-III® Alignment Sleeve, Multimode

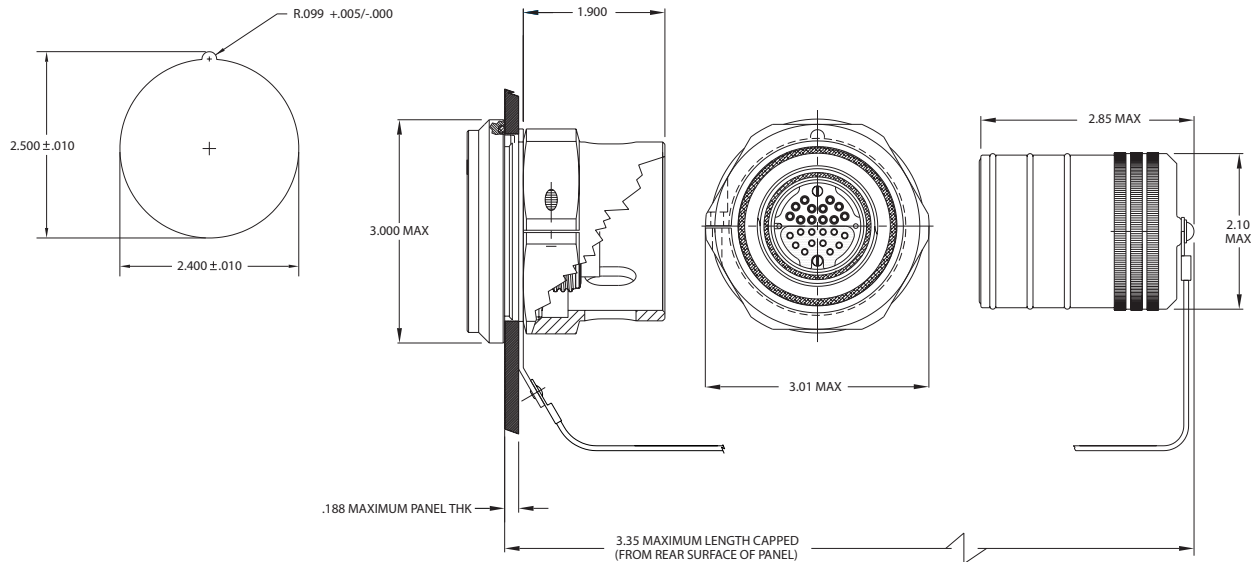
FSAF1175 TFOCA-III® Alignment Sleeve, Single Mode

M29E1000 TFOCA-III® Dummy Terminus

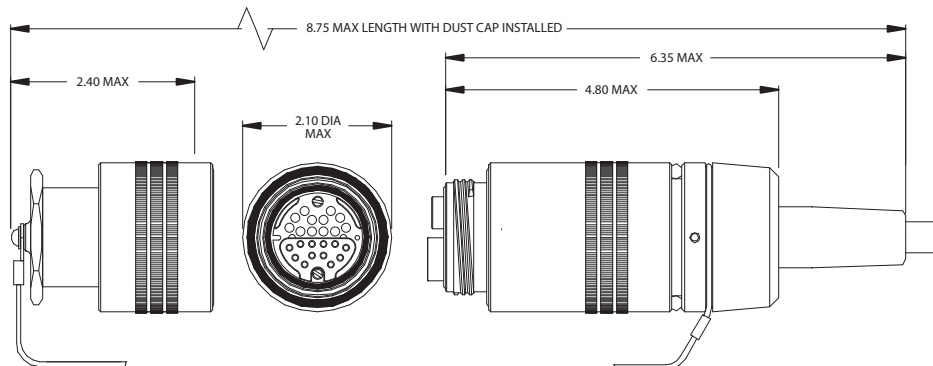
TFOCA-III® 24-Channel Flange Mount Receptacle with Panel Cutout



TFOCA-III® 24-Channel Jam Nut Receptacle with Panel Cutout

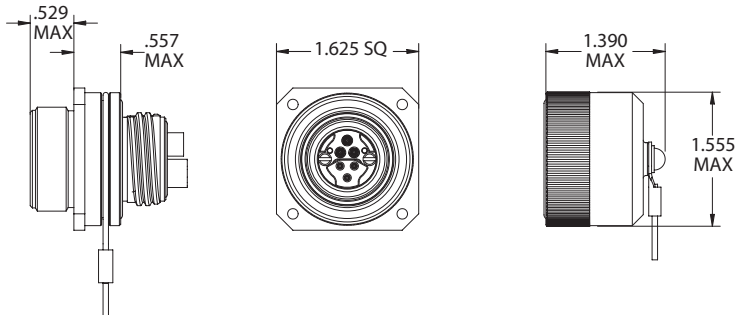


TFOCA-III® 24-Channel Hermaphroditic Plug

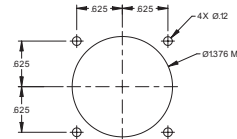


Drawings are not to scale.
Measurements are in inches.

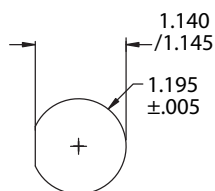
TFOCA-III® 6-Channel Flange Mount Receptacle



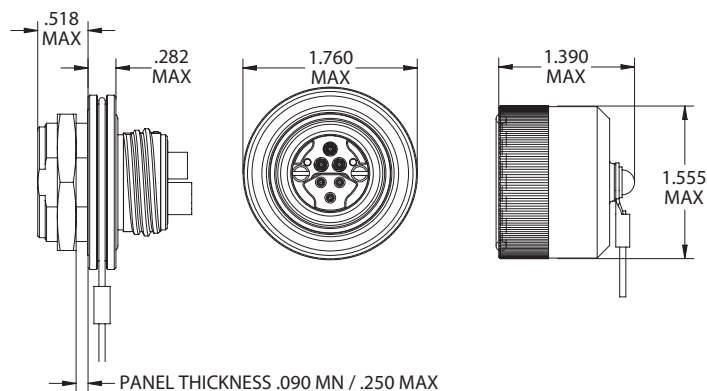
TFOCA-III® 6-Channel Flange Mount Receptacle Panel Cutout



TFOCA-III® 6-Channel Jam Nut Receptacle Panel Cutout



TFOCA-III® 6-Channel Jam Nut Receptacle



About Amphenol Fiber Systems International

Amphenol Fiber Systems International (AFSI) designs, manufactures, markets and supports reliable and innovative fiber optic interconnect solutions that withstand the harsh environments of military, oil & gas, mining and broadcast applications. After more than a decade in business, AFSI continues to uphold its position as a global leader in fiber optic interconnect components and systems such as termini, M28876, MIL-ST, TFOCA and the TFOCA-II® connector, which AFSI developed and patented.

AFSI has delivered millions of fiber optic connectors worldwide. Whenever there is a need for superior, cost-effective fiber optic systems and products that will stand up to demanding operating environments, you can rely on AFSI for engineering know-how, top-quality products and expert technical support.

For more information about AFSI, visit www.fibersystems.com.

TFOCA-III® 6-Channel Plug

